

# Bray VALVE & CONTROLS

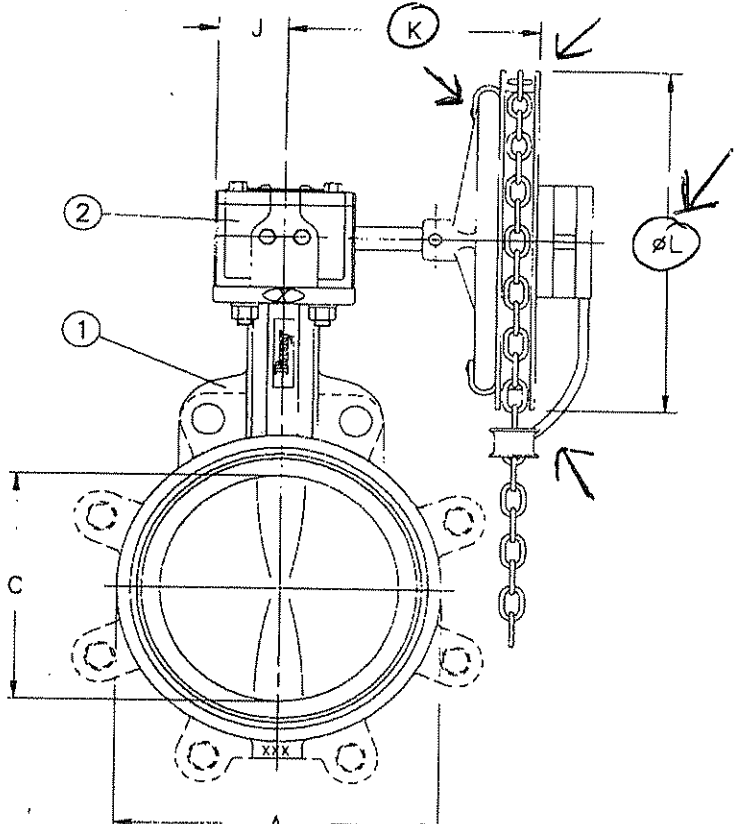
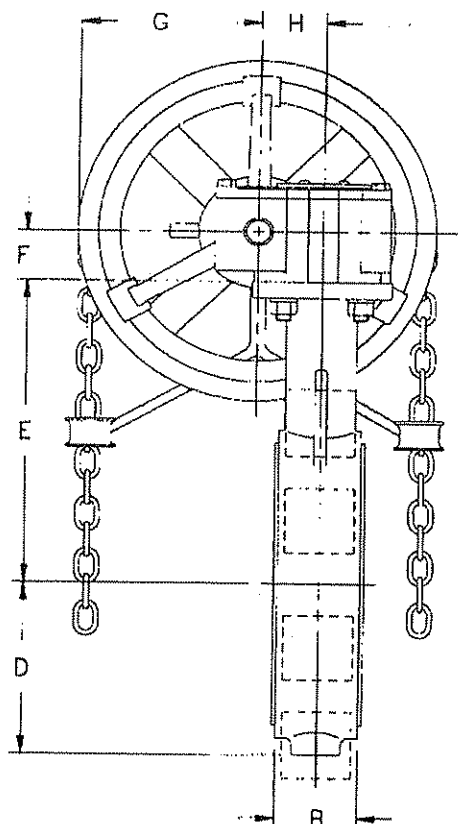
A Division of BRAY INTERNATIONAL, Inc.

*send me now info on wheel Helle*

SERIES 30/31  
ES11A-0318

Date: JUNE 1997

Valve Size	Gear Operator	A	B	C	D		E	F	G	H	J	K	L	
					Series 30	Series 31								
2"	20:1	3.69	1.62	2.00	2.22	2.30	5.50	4.00	1.44	1.62	1.75	7.72		
2 1/2"	20:1	4.19	1.75	2.50	2.47	2.57	6.00	4.00	1.44	1.62	1.75	7.72		
3"	20:1	4.88	1.75	3.00	2.81	2.81	6.25	4.00	1.44	1.62	1.75	7.72		
4"	20:1	6.06	2.00	4.00	3.41	4.09	7.00	4.00	1.44	1.62	1.75	7.72		
5"	20:1	7.06	2.12	5.00	4.03	4.61	7.50	4.00	1.44	1.62	1.75	7.72		
6"	20:1	8.12	2.12	5.75	4.53	5.06	8.00	4.00	1.44	1.62	1.75	7.72		
8"	30:1	10.50	2.50	7.75	5.75	6.05	9.50	4.50	1.25	2.62	2.96	9.88		
10"	30:1	12.75	2.50	9.75	7.12	7.69	10.75	4.50	1.25	2.62	2.96	9.88		
12"	30:1	14.88	3.00	11.75	8.12	9.02	12.25	4.50	1.25	2.62	2.96	9.88		
14"	30:1	17.05	3.00	13.25	9.38	9.93	13.62	4.50	1.25	2.62	2.96	9.88		
14"	50:1	17.05	3.00	13.25	9.38	9.93	13.62	6.25	1.69	3.12	2.96	14.19		
16"	30:1	19.21	4.00	15.25	10.75	11.30	14.75	4.50	1.25	2.62	2.96	9.88		
16"	50:1	19.21	4.00	15.25	10.75	11.30	14.75	6.25	1.69	3.12	2.96	14.19		
18"	80:1	21.12	4.25	17.25	12.00	12.16	16.00	6.25	2.38	4.56	4.14	15.97		
20"	80:1	23.25	5.00	19.25	13.72	14.00	17.25	6.25	2.38	4.56	4.14	15.97		



2	GEAR OPERATOR	1			
1	VALVE	1			
ITEM No.	NAME	No. REQUIRED	SERIES/PART No.	MATERIAL	SPECIFICATION/REMARKS

Valve Size \_\_\_\_\_ Flg. Drilling \_\_\_\_\_  
 Pressure Rating \_\_\_\_\_  
 Customer/Project \_\_\_\_\_  
 Inq./P.O. No. \_\_\_\_\_  
 Bray Order No. \_\_\_\_\_  
 Certified Correct By \_\_\_\_\_ Date \_\_\_\_\_

The High Performance Company

## BRAY VALVE & CONTROLS

A Division of BRAY INTERNATIONAL, Inc.

**DIMENSIONAL DRAWING (inches)**  
 SERIES 30/31, SIZES 2" THRU 20" BUTTERFLY VALVES  
 WITH SERIES 04 GEAR OPERATORS

Series	Size	Part No.	Material Trim Code	Drawing No.
				ES11A-0318

Bray

REV. RFP / ERN-3740