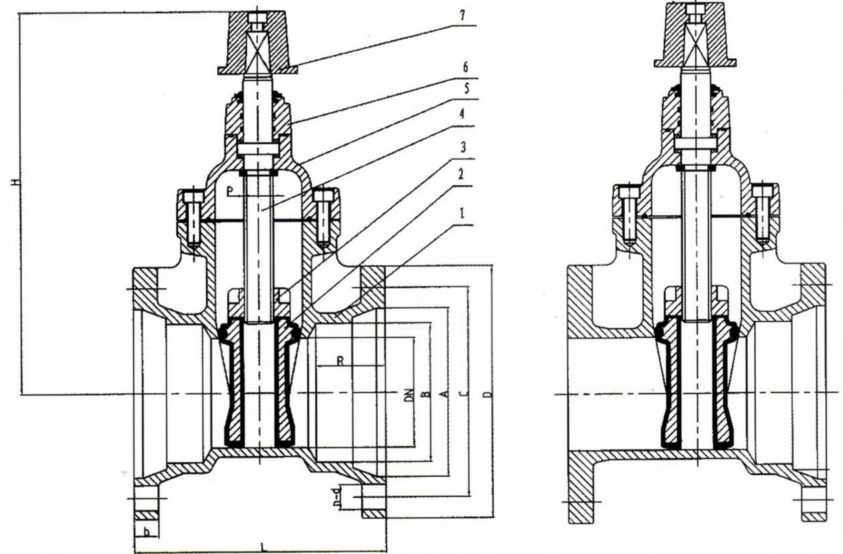


806 Series AWWA Resilient Seated Gate Valve NRS MJ+MJ / FL+MJ



MJ+MJ

MJ+FL

SPECIFICATIONS

- AWWA C590/C515
- WORKING PRESSURE: 250 PSI
- MJ – AWWA C153/A21.53
- TEST & INSPECTION – AWWA C509/C515
- NBR ≤ 176°F, EPDM ≤ 248°F
- HANDWHEEL, NUT, EXTENSION STEM, GEAR OPERATOR

COMPONENTS

NO.	PART NAME	MATERIAL
1	BODY	DUCTILE IRON ASTM A536
2	WEDGE	DUCTILE IRON ASTM A536 / EPDM
3	STEM NUT	BRONZE C83600
4	STEM	420/304
5	BONNET	DUCTILE IRON ASTM A536
6	GLAND	DUCTILE IRON ASTM A536 / BRASS
7	HANDWHEEL	DUCTILE IRON ASTM A536

DIMENSIONS

(INCHES)

SIZE	L	H	C	A	B	R	D	b	n-d
2"	8.27	10.63	4.74	3.60	2.78	2.50	6.38	0.63	0.08-0.79
3"	7.99	12.20	6.19	5.00	4.11	2.50	7.68	0.67	0.16-0.88
4"	9.02	13.78	7.50	6.07	4.97	2.50	9.09	0.67	0.16-0.88
6"	10.51	18.98	9.50	8.17	7.07	2.50	11.10	0.67	0.24-0.88
8"	11.50	20.47	11.75	10.31	9.21	2.50	13.39	0.75	0.24-0.88
10"	12.99	24.88	14.00	12.36	11.26	2.50	15.63	0.75	0.31-0.88
12"	14.02	29.33	16.26	14.45	13.35	2.50	17.87	0.75	0.31-0.88
14"	15.00	32.87	18.75	16.54	15.44	3.50	20.59	0.79	0.39-0.88
16"	15.98	37.52	21.00	18.64	17.54	3.50	22.83	0.85	0.47-0.88
18"	17.01	41.34	23.25	20.74	19.64	3.50	25.12	1.00	0.47-0.88
20"	17.99	50.39	25.50	22.84	21.74	3.50	27.36	1.02	0.55-0.88
24"	20.00	56.50	30.00	27.04	25.94	3.50	31.89	1.02	0.63-0.88