

Model: 11M

Job Name _____

Contractor _____

Job Location _____

Approval _____

Engineer _____

Contractor's P.O. No. _____

Approval _____

Representative _____

LEAD FREE*

Cast Iron Screwed End Y Strainers

Model: 11M**Sizes: 1/4" - 4"****PRESSURE/TEMPERATURE–NON-SHOCK**

Model	Material	Rating
11M	Cast Iron	400psi @ -20°F to 150°F 27.58 bar @ 65.56°C 250psi @ 406°F 17.24 bar @ 207.78°C

11M**Class 250****Features**

- Machined seats in both body and cap align and lock the screen in place to stop sediment bypass

Construction

- Gasketed cap is used for easy disassembly and assembly.
- 3" and 4" models have a Bolted Cap

Self-Cleaning

- Self cleaning is accomplished by opening the plug or valve connected to the blowoff outlet

Blowoff Outlets

- Outlets are NPT Tapped
- Sizes of tapping specified on the next page
- Not normally furnished with plug. Plug available, specify with order

**Model 11M****Capacity**

- Generously proportioned bodies
- Open Area Ratio much greater than pipe size, ensures low pressure loss

Screens

MODEL	SIZES	STANDARD (WATER)		STEAM RECOMMENDATION	
		MATERIAL	OPENING	MATERIAL	OPENING
11M	1/2" - 2"	304SS	20 mesh	304SS	30 mesh
11M	2 1/2" - 4"	304SS	.062 perf	304SS	.045 perf

NOTICE

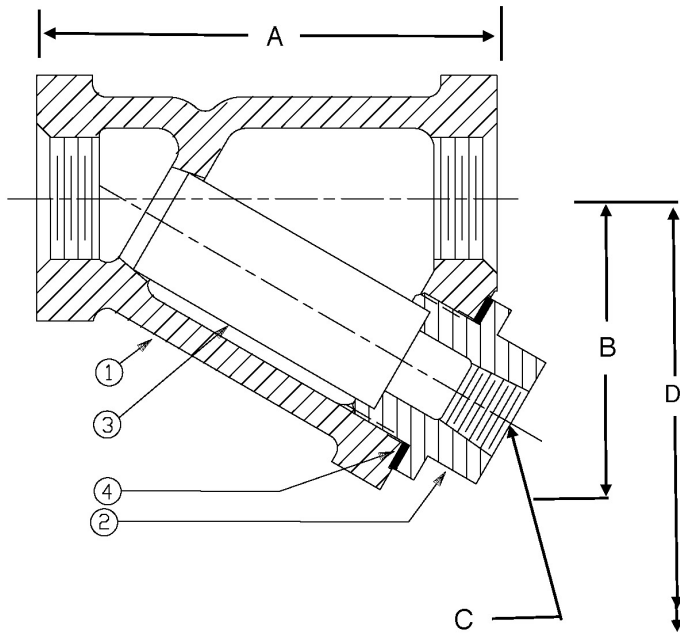
The information contained herein is not intended to replace the full product installation and safety information available or the experience of a trained product installer. You are required to thoroughly read all installation instructions and product safety information before beginning the installation of this product.

*The wetted surface of this product contacted by consumable water contains less than 0.25% of lead by weight.

Mueller Steam Specialty product specifications in U.S. customary units and metric are approximate and are provided for reference only. For precise measurements, please contact Mueller Steam Specialty Technical Service. Mueller Steam Specialty reserves the right to change or modify product design, construction, specifications, or materials without prior notice and without incurring any obligation to make such changes and modifications on Mueller Steam Specialty products previously or subsequently sold.

A WATTS Brand

Materials



BILL OF MATERIAL - 11M		
ITEM	DESCRIPTION	MATERIAL
1	BODY	Cast Iron ASTM A126-B
2	CAP	Cast Iron ASTM A126-B
3	SCREEN	304 SS
4	GASKET	Metal Filled Graphite

BILL OF MATERIAL - 11BC ONLY (3", 4")		
Not Shown	COVER **	Cast Iron ASTM A126-B
Not Shown	HEX HEAD CAP SCREWS	SAE J429 Gr. 5

** Cover may be manufactured from equivalent grade plate material

Pressure Drop

See Pressure Drop Charts in Technical Data section of the Mueller Steam Specialty Engineering binder. Cv values are noted in the Dimensions and Weights table below.

Dimensions and Weights

SIZE	DIMENSIONS								WEIGHT		Cv
	A		B		C		D		lbs.	kgs.	
	in.	mm	in.	mm	in.	mm	in.	mm			GPM
¼	3 ⁷ / ₁₆	81	2 ¹ / ₁₆	52	¼	6	2 ⁵ / ₈	61	1.6	0.7	7
⅜	3 ⁷ / ₁₆	81	2 ¹ / ₁₆	52	¼	6	2 ⁵ / ₈	61	1.6	0.7	7
½	3 ⁷ / ₁₆	81	2 ¹ / ₁₆	52	¼	6	2 ⁵ / ₈	61	1.6	0.7	8
1	3¾	95	2 ⁷ / ₁₆	61	⅜	10	3	77	2.4	1.1	16
1	4	102	2 ⁵ / ₈	66	⅜	10	3¼	83	3.0	1.4	22
1¼	5	127	3 ³ / ₈	85	¾	20	5	127	5.2	2.3	38
1½	5¾	146	3 ⁷ / ₈	98	1	20	5	127	8.0	3.6	50
2	7	177	4¾	121	1½	25	6 ¹ / ₈	157	22.0	5.7	76
2½	9¼	234	5 ⁷ / ₈	149	1½	40	7 ⁷ / ₈	174	22.0	10.0	125
3	10	254	6	152	1½	40	8	204	30.0	13.6	160
4	15 ³ / ₁₆	386	11¼	286	1½	40	16	406	70.0	32.0	245

Apply For Certified Drawings.

Limited Warranty: Mueller Steam Specialty warrants each product to be free from defects in material and workmanship under normal usage for a period of one year from the date of original shipment. In the event of such defects within the warranty period, the Company will, at its option, replace or recondition the product without charge. This shall constitute the sole and exclusive remedy for breach of warranty, and the Company shall not be responsible for any incidental, special or consequential damages, including without limitation, lost profits or the cost of repairing or replacing other property which is damaged if this product does not work properly, other costs resulting from labor charges, delays, vandalism, negligence, fouling caused by foreign material, damage from adverse water conditions, chemical, or any other circumstances over which the Company has no control. This warranty shall be invalidated by any abuse, misuse, misapplication or improper installation of the product. **THIS WARRANTY IS IN LIEU OF ALL OTHER WARRANTIES, EXPRESS OR IMPLIED, INCLUDING ANY IMPLIED WARRANTIES OF MERCHANTABILITY OR FITNESS FOR A PARTICULAR PURPOSE.** Any implied warranties that are imposed by law are limited in duration to one year.

Some States do not allow limitations on how long an implied warranty lasts, and some States do not allow the exclusion or limitation of incidental or consequential damages. Therefore the above limitations may not apply to you. This Limited Warranty gives you specific legal rights, and you may have other rights that vary from State to State. You should consult applicable state laws to determine your rights.



A WATTS Brand

USA: T: (800) 334-6259 • F: (800) 421-6772 • MuellerSteam.com

Latin America: T: (52) 81-1001-8600 • MuellerSteam.com

© 2019 Mueller Steam Specialty