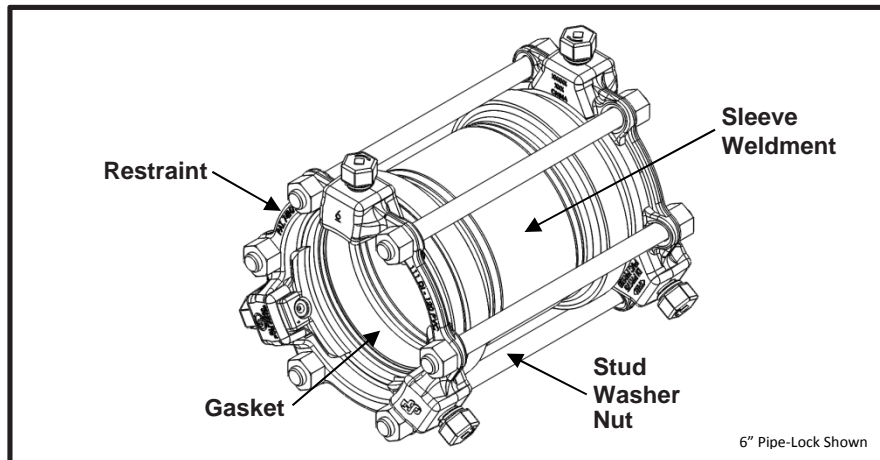


SPECIFICATION

PIPE-LOCK™ STEEL RESTRAINT COUPLING

MODEL 472



APPLICATIONS

- **Typical Uses**
 - Joining and restraining plain-end PVC pipe ends
 - Replace split or excessively damaged pipe
- **Standard Pipe Size**
 - DI sized 4" - 36" nominal
 - IPS sized 3" - 12" nominal
- **Type of Pipe**
 - PVC
 - Suitable applications for PVC are limited to SDR 26 or heavier wall pipe as defined by ASTM D2241*
- **Working Pressure**
 - Rated at pressure rating of the PVC pipe installed on
 - DI pipe sizes 4" - 24" = 250 psi, 30" = 150 psi, 36" = 125 psi
 - IPS pipe sizes 3" - 12" = 250 psi

MATERIALS

- **Sleeve Weldment**
 - See 477 specification document
- **Restraint**
 - See 120 specification document
- **Gasket**
 - Styrene Butadiene Rubber (SBR) per AWWA C111/A21.11
 - Compounded to resist water, oil, natural gas, acids, alkalies, most (aliphatic) hydrocarbon fluids, and many other chemicals
 - Temperature range: -20°F to +180°F
 - Permanently marked with part number and pipe size range for proper selection
- **Stud**
 - HSLA Carbon Steel per AWWA C111/A21.11 and/or ASTM A193 GRB7
 - Size:
 - 3" nominal pipe size = 5/8" - 11 UNC
 - 4" - 24" nominal pipe size = 3/4" - 10 UNC
 - 30" - 36" nominal pipe size = 1-0" - 8 UNC
 - Rolled threads for improved physical characteristics, greater thread accuracy, and smooth surface finish



SPECIFICATION

PIPE-LOCK™ STEEL RESTRAINT COUPLING

MODEL 472

▪ Washer

- Carbon Steel per ASTM A108
- Electro-galvanized with dichromate seal per ASTM B633 for improved corrosion resistance
- Size:
 - 3" nominal pipe size = 5/8" Type A Plain
 - 4" – 24" nominal pipe size = 3/4" Type A Plain
 - 30" – 36" nominal pipe size = 1-0" Type A Plain
- Utilized to preserve corrosion resistance of epoxy coated surfaces and increase bearing surface

LISTINGS

- Fabricated in accordance with applicable AWWA C219 standards

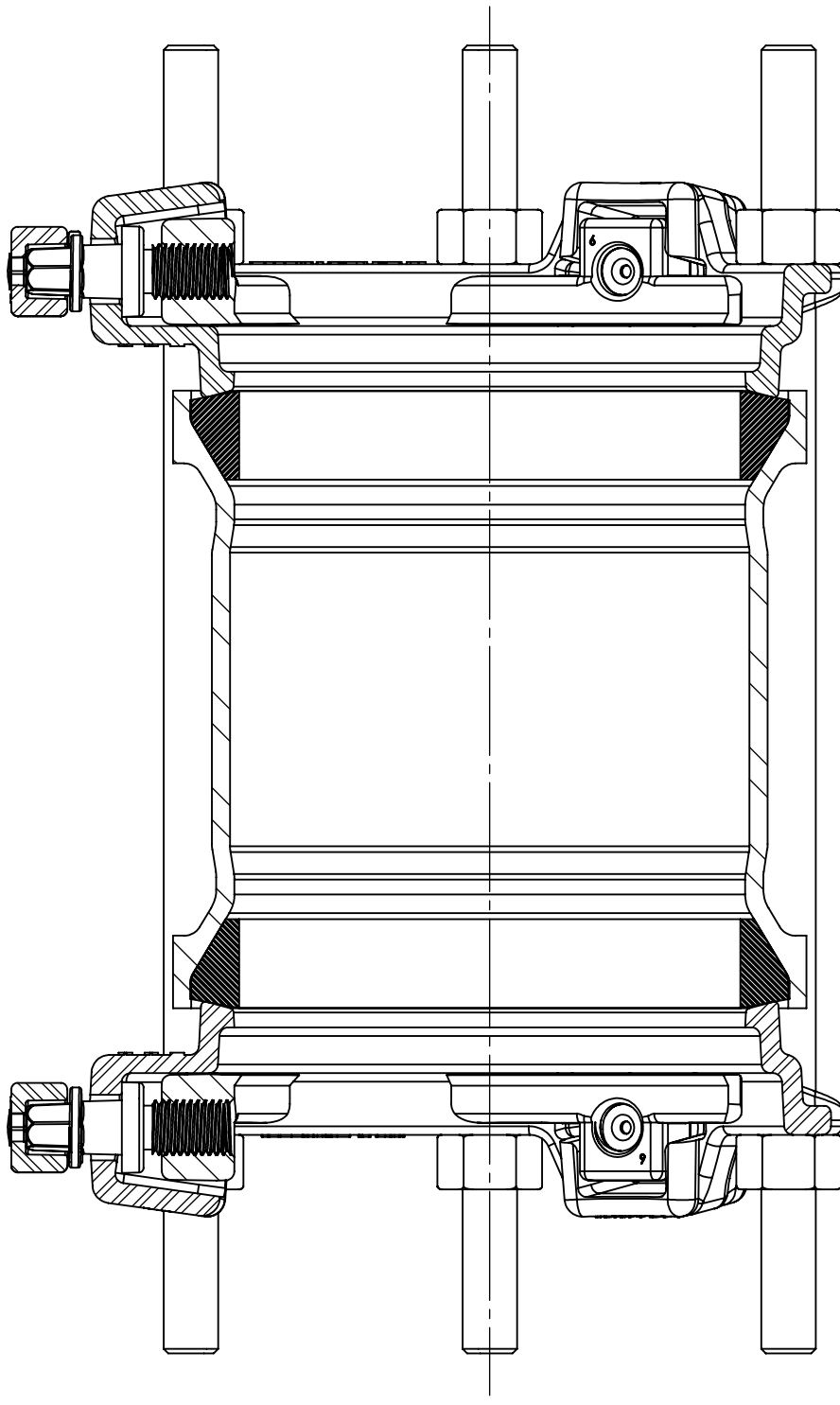
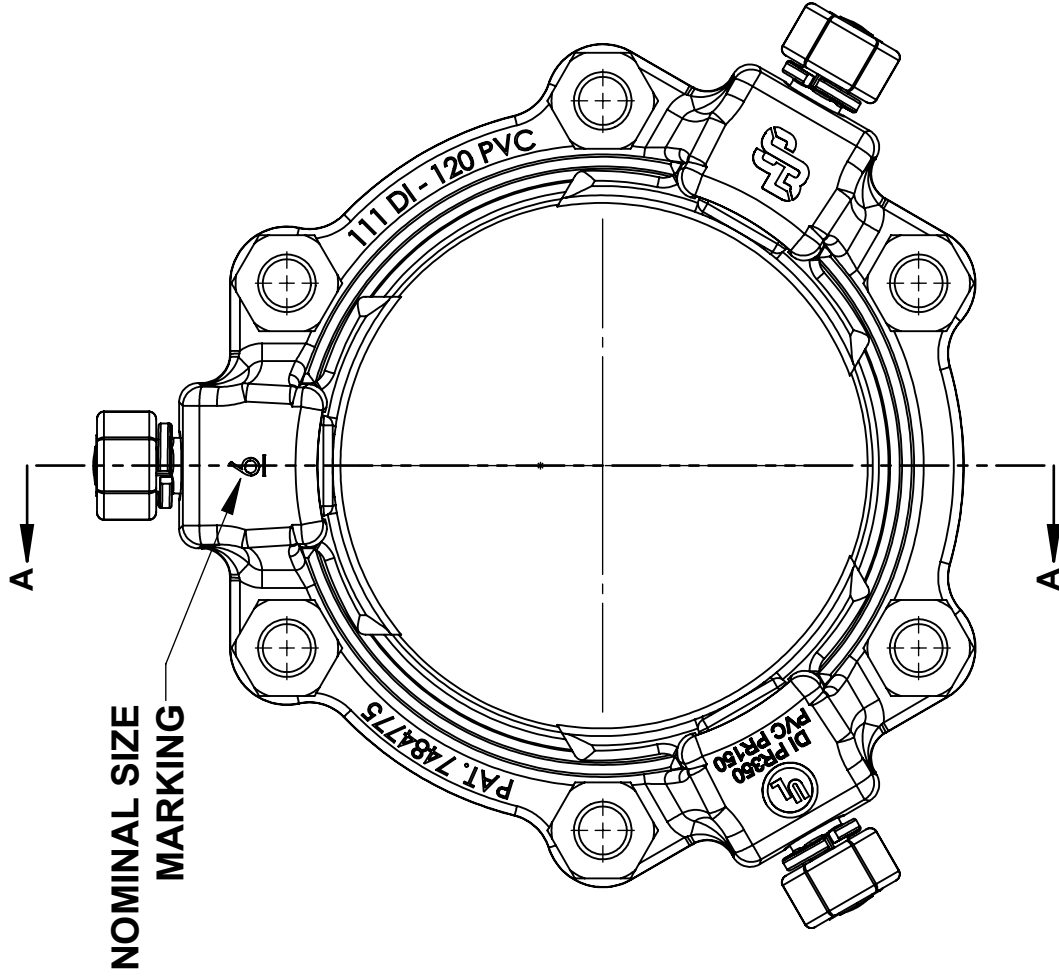
OPTIONS

- Type 304 Stainless Steel hardware with fluoropolymer coated nuts to prevent galling
- Type 316 Stainless Steel hardware with fluoropolymer coated nuts to prevent galling
- Multi-Seal Gasket 4" - 12"
- Alternative gasket material (e.g. Buna-N, EPDM, etc.)

NOTES

- These product specifications were correct at the time of publication and are subject to change without notice
- Pipe-Lock™ is a trademark of Smith-Blair Inc.
- See the Smith-Blair® web site for part numbers and ordering information
- See the Smith-Blair® web site for warranty information
- See the Smith-Blair® web site for corrosion warnings

30 Globe Ave, Texarkana, AR 71854
Ph: 870-773-5127 • Fax: 870-773-5212
Toll-Free Numbers: Ph: 800-643-9705 • Fax: 800-648-6792



SECTION A-A

PVC X PVC

- NOTES:
1. SEE SMITH-BLAIR CATALOG FOR ADDITIONAL DETAILS
 2. 6" COUPLING SHOWN OTHER SIZES SIMILAR
 3. SEE MODEL 477 AND 120 SPECIFICATIONS FOR ADDITIONAL DETAILS

TOLERANCES U.N.O. XX= ±.03 XXX= ±.015 FRACTIONS= 1/16 ANGLES= ±1° MACH. FIN.	NOTES: REMOVE BURRS AND SHARP EDGES DO NOT SCALE DWG.	APP'D CK'D	DATE DATE
	SCALE: N/A	DRN CHD	DATE DATE
	ALL DIMENSIONS ARE IN INCHES.		

TITLE SPECIFICATION PIPE-LOCK™ STEEL RESTRAINT COUPLING MODEL 472	
P/N N/A	DATE 10/19/15

SMITH-BLAIR, Inc. TEXARKANA, ARKANSAS	DWG. NO. SPEC_472.DRW	P/N N/A	DATE 10/19/15
1 OF 1 SHEET		38/16 REV.	